

PULLMAN-HOLT

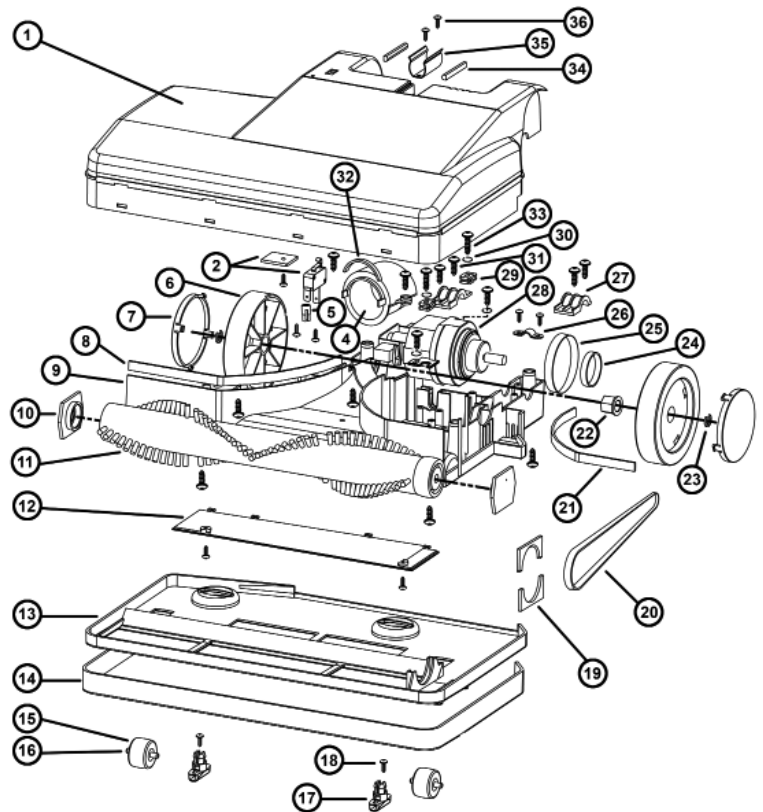
REPLACEMENT PARTS LIST

Save for future reference

Model UV10 Vacuum

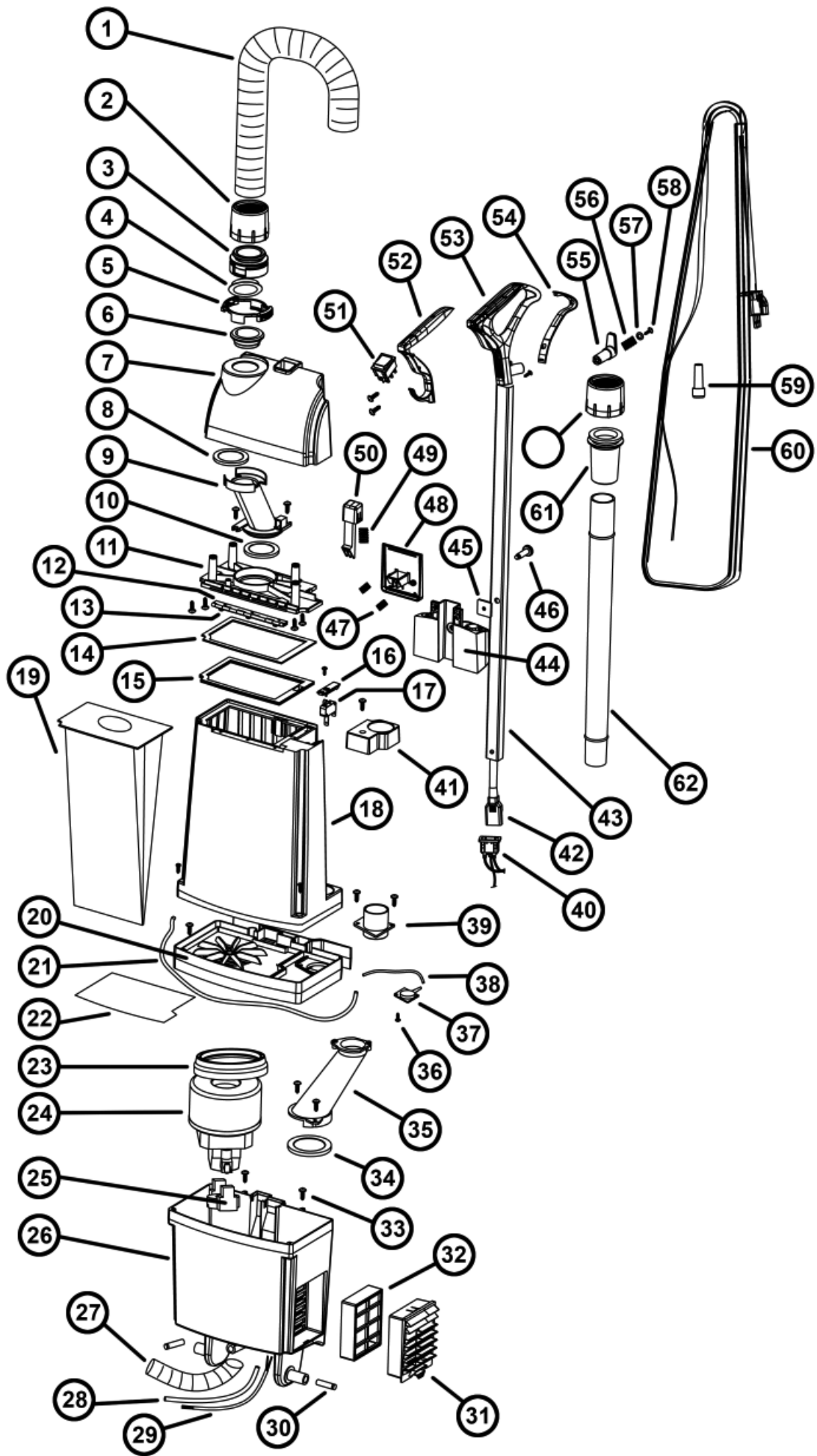
Motor & Housing Assembly

Ref.	Part No.	Description	Qty
1	B100560	Base Cover	1
2	B001036	PCB, Circuit Board-Switch	1
4		Hose Joint Coupler	1
5		Lamp Holder	1
6	B100563	Wheel Rear	2
7	B100594	Hub Cap	2
8		Sealing Gasket	1
9	B100562	Base Assembly	1
10	B100597	Brush End Cap	1
11	B110040	Brush	1
12		Small Cover	1
13	B100561	Bottom Plate	1
14	B100587	Rubber Bumper	1
15	B100564	Front Wheel	2
16	B100672	Axle	2
17	B100673	Lower Cover Knob	2
18		Screw	2
19		Sealing Felt	2
20	B100568	Belt	1
21		Sealing Gasket	1
22	B100565	Hub Bushing	2
23	B100555	Spring Clip	2
24	B100670	Motor Front Gasket	1
25	B100671	Motor Rear Gasket	1
26	B100669	Cord Holder	1
27a	B100667	Motor Housing Left	1
27b	B100668	Motor Housing Right	1
28	B100554	Brush Motor	2
29		Fix Gasket	1
30		Spring Washer	4
31		Screw	13
32		Joint Sealing Gasket	1
33		Screw	2
34		Rubber Piece	2
35		Spring Lock	1
36		Screw	7



Vacuum Assembly

Ref.	Part No.	Description	Qty	Ref.	Part No.	Description	Qty
1	B100553	Hose Assembly	1	33		Screw	17
2		Hose Connector	2	34		Inlet Gasket	1
3		Hose Clip Support	1	35		Lower Tube	1
4		Hose Connector Gasket	1	36		Screw	4
5	B100595	Hose Clip	1	37		Valve Gasket	1
6		Hose Connector Support	1	38		Valve Joint Tubing	1
7	B100556	Dustbag Door	1	39		Wand Coupler	1
8	B100653	Top Gasket	1	40		Cable Receptacle	1
9		Hose Tubing	1	41	B100674	Extension Wand Holder	1
10		Bottom Gasket	1	42	B100675	Cable Plug	1
11		Dustbag Middle Support	1	43	B100573	Handle Tube	1
12		Hinge	1	44	B100656	Main Body Handle	1
13		Screw	6	45	B100567	Handle Nut	1
14	B100570	Dustbag Gasket Upper	1	46	B100566	Handle Bolt	1
15	B100569	Dustbag Gasket Lower	1	47		Slip Block Spring	2
16	B100663	Dustbag Switch Block	1	48	B100664	Slip Block	1
17	B100662	Protect Switch	1	49		Button Spring	1
18	B100574	Dustbag Cavity	1	50		Dustbag Cover Button	1
19	B700096	Dust Bag	1	51	B100552	Rocker Switch	1
20		Motor Cover	1	52	B100583	Handle Cover Front	1
21	B100665	Dustbag Cavity Gasket	1	53	B100582	Handle Grip	1
22	B100571	Motor Filter Sponge	1	54	B100584	Handle Cover Rear	1
23	B100654	Motor Gasket Front	1	55	B100657	Cord Clip	1
24	B100551	Vac Motor	1	56	B100658	Clip Spring	1
25	B100676	Motor Gasket Real	1	57	B100660	Washer	1
26	B100586	Motor Housing	1	58	B100659	Screw	3
27		Hose	1	59	B100575	Cord Protector	1
28		Wire Sleeve	1	60	B100590	Supply Cord	1
29		Electrical Wire	1	61		Wand Connector	1
30	B100650	Metal Shaft	2	62	B100572	Wand	1
31	B100559	Cover Exhaust Filter	1	63	B100655	Strain Relief	1
32	B100558	Exhaust Filter	1				



PULLMAN-HOLT

10702 N. 46th Street • Tampa, FL 33617
(813) 971-2223 • Fax (813) 971-6090
www.pullman-holt.com